

»FUTURA-mini« series

Activated carbon filters in modern design for compliance with strict compressed air purity requirements. Activated carbon filters are used to absorb oil vapour up to a residual oil content of 0.005 mg/m³ from compressed air and gases.

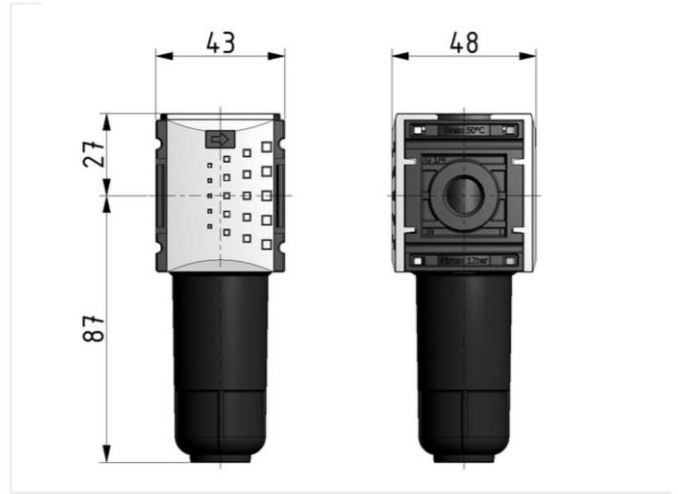
Input pressure	0 - 12 bar
Temperature range	-10 °C to 50 °C
Medium	Compressed air, neutral gases
Housing	PA66 GF60
Connecting thread	Plastic
Sealant	NBR
Filter element	Activated carbon
Residual oil content	0.005 mg/m ³
Flow rate	470 l/min
Flow rate measurement	At P ₂ = 6 bar and pressure drop Δ _p = 0.2 bar

Activated carbon filter with metal bowl

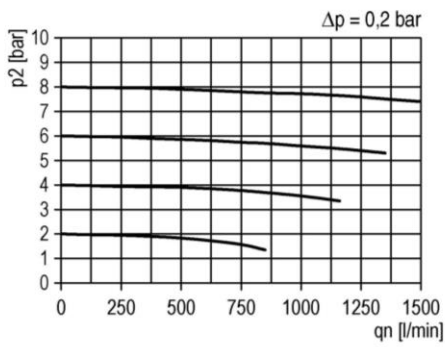
Art. No.	Type No.	Thread	Size
142454	FUM 891-M	G 1/4	0

Accessories / spare parts

Art. No.	Type No.	Description
143105	H 848	Mounting bracket, incl. 2 screws
143010	WKM 100	Coupling package for wall mounting incl. 2 screws and O-ring
143022	KPM 100	Coupling package incl. 2 screws and O-ring
100384	A 23/60	Filter element (activated carbon POM)
100383	740/01	Polycarbonate bowl (lubricator)
152077	WK 100-14	Wall bracket with connection thread G 1/4
100391	740/11	Metal bowl (lubricator)
118137	302.4.9	O-ring 30x2 mm for container



flow characteristic



symbol

